

- XIM100+
- XIM150
- XIM200

- XIM125
- XIM150T

GB

E

D

F

I

NL

P

DK

S

N

SF

XIM Inline Mixed Flow Fans
Installation and maintenance instructions



Having unpacked the appliance, check that it is undamaged and that it works correctly. If there is any fault or damage, do not attempt to use it or repair it. Any defect in origin is covered by the guarantee.

GENERAL CONDITIONS

- This type of extractor is designed to work inserted into any stretch of air extraction conduit, whether positioned vertically or horizontally.
- This tubular extractor is designed to be installed in a flexible or rigid conduit of 100/125/150/200 mm. diameter for the XIM100+/XIM125/XIM150/XIM200. The extractor (C) is placed between points A and B (intake and exhaust) (Fig. 1).
- Do not install the exhaust pipe (A, B) of the extractor unit to a chimney, ventilation pipe or hot air conduit (fig. 1).
- Before connecting the unit to pipelines, consult the local municipal regulations regarding exhaust air and ask the permission of the person in charge of the building.
- Precautions must be taken to avoid the back-flow of gases into the room from the open flue of gas or other open-fire appliances.
- Make sure that the ventilation is appropriate, especially when the extractor is used in conjunction with an appliance with a combustion chamber.
- This extractor is designed for the ventilation of homes or similar premises.
- Do not use the extractor in explosive atmospheres.
- Do not use in premises where the room temperature is above 60° C.
- This extractor does not cause any interference in radio/television sets (C.E.E. regulation No. 89/336).

INSTALLATION

- All installations must be supervised by a qualified electrician. Installations and wiring must conform to current IEE regulations (UK), local or appropriate regulations (other countries).
 - Failure to comply with these instructions may invalidate the guarantee.
 - In the event of incorrect installation, The Manufacturer will not accept responsibility for the material or personal damage which may be occasioned.
 - Before beginning the installation, check that:
 - The fan is not distorted or damaged.
 - There is no foreign body lodged within the casing.
 - The fan moves freely on being turned by hand.
- 1- Loosen the 2 screws (D) and lift the flanges (E). Take the

casing assembly (F) out of its housing (fig. 2).

- 2- Install the supporting assembly + nozzles (G) in the chosen position (fig. 2). To do this it is necessary:
- Locate the assembly in the installation place (wall or ceiling) and mark the 4 holes (H).
 - Make the 4 holes using a 6 mm. bit.
 - Use the plugs and screws supplied with the appliance to fix the assembly.

It is advisable to locate the appliance at a distance of 1 metre or more from the closest bend and also from the nearest of suction and expulsion nozzles.

- 3- Join the suction (A) and expulsion (B) conduits to the nozzles (I) by flanges or resistant adhesive tape (fig. 2).

It is important that the tubing is of the same diameter as the nozzles to allow efficient operation of the extractor.

- 4- Replace the casing (F) in its housing in such a way that the air circulation direction indicated by the arrows (J) and the cable outlet direction are as desired. Close the flanges (E) and tighten the screws (D) (fig. 2).

N.B.

Make sure that once the appliance is installed there is no accidental access to the moving parts.

ELECTRICAL CONNECTION

- The appliance must be connected to a single-phase mains power supply network, at the voltage and frequency indicated on the extractor rating plate.
- The installation must have a double pole isolating switch with a distance between contacts equal to or over 3 mm.
- Earthing is not required as this is an appliance with double insulation. (Class II).
- The appliance must be connected permanently to a fixed channelling by a fixed installation cable. (Flex of two conductor wires of minimum section 1 mm² and maximum 1.5 mm²).

To make the electrical connection:

- 1- Loosen the 4 screws (K) and take off the connection cover (M) (fig. 2).
- 2- Perforate the flex holder (O) to allow the power supply wires to pass through (fig. 2 and 3).
- 3- Make the connections as indicated below:

Model XIM100+/XIM125/XIM150

- If you wish to install a commutator to allow a choice between high speed (HV) and low speed (LV), see the connection sketch in figs. 3 and 4.

- If you wish the appliance to work only at low speed (LV), see the connection sketch in fig. 5.
- If you wish the appliance to work only at high speed (HV), see the connection sketch in fig. 6.

Model XIM200

- If you wish to install a commutator to allow a choice between high speed (HV) and low speed (LV), see the connection sketch in figs. 3 and 4.
- If you wish the appliance to work only at low speed (LV), see the connection sketch in fig. 5.
- If you wish the appliance to work only at intermediate speed (MV), see the connection sketch in fig. 6.
- If you wish the appliance to work only at high speed (HV), see the connection sketch in fig. 10.

Model XIM150T

The timer is factory set only for high speed (HV).

Timer for high speed

See figs. 7 and 8.

Timer for low speed

If you wish, you can set the timer for low speed (LV) leaving the high speed (HV) without a timer. To make this change (fig. 7):

- Disconnect wires 6M, 8 and 6T.
- Connect wire 8 to S.
- Connect wire 6M to N2.
- Connect wire 6T to N1.

Figs. 8 and 9 show the connections for this case.

Adjust the timer by turning the knob (U) in a clockwise direction to increase the operating time (3' - 15').

- 4- Loosen the 2 screws (P) and compress the power supply flex with the piece (R). Then tighten the 2 screws (P) again (fig. 3).
- 5- Replace the connection cover (M) and tighten the 4 screws (K) (fig. 2).

MAINTENANCE AND SERVICE

- Before carrying out any type of maintenance, disconnect the appliance from the mains supply.
- For any maintenance operation which is not simply cleaning the exterior of the appliance, the casing assembly must be taken out of its housing as indicated in point 1 of the section Installation Instructions.


Then the two reducer tubes (V) must be removed following the steps set out below (see fig. 10):

- 1- Loosen the screw (X).
- 2- Turn the reducer tube (V) about 9° anticlockwise (arrow 1).
- 3- Pull the reducer tube (V) out (arrow 2).

- The motor, fan and all the components must be regularly inspected to ensure that they are not dirty nor have suffered any damage. The frequency of inspection will depend on the operating conditions of the appliance.
- During the maintenance sessions remove any dirt collected on

the fan blades and the internal parts of the frame to avoid any imbalance in operation, which would lead to a reduction of the aerodynamic qualities and possible damage to the motor. Cleaning the parts should be done with a damp cloth and mild detergent. Never submerge the appliance in water or in any other liquid. Do not use solvents to clean the appliance.

- The motor bearings need no maintenance.
- Having carried out the maintenance operations, reassemble the reducer tubes (V) in reverse order of steps 1, 2 and 3 of this section. Replace the casing assembly in its housing as indicated in point 4 of the section Installation Instructions.

The symbol  on the product or on its packaging indicates that this product may not be treated as household waste. Instead it shall be handed over to the applicable collection point for the recycling of electrical and electronic equipment. By ensuring this product is disposed of correctly, you will help prevent potential negative consequences for the environment and human health, which could otherwise be caused by inappropriate waste handling of this product. For more detailed information about recycling of this product, please contact your local city office, your household waste disposal service or the shop where you purchased the product.

THE MANUFACTURER guarantees that this product will fulfil the use for which it was designed for a period of two (2) years.

This guarantee includes both materials and labour. Due to its small size and ease of transport, the product must be taken by the user to the nearest Official Technical Service Department.

To repair the product, it should be taken by the consumer to the brand's official technical assistance service department; and to replace the product, cancel the sale or obtain a reduction in the price, where appropriate, it should be taken to the point of sale. The product must be presented with its invoice or purchase ticket, or delivery note if later.

If a fault is detected, the consumer is entitled to demand the repair or replacement of the product, unless either of these options is impossible or disproportionate, within a reasonable period of time. If repairing or replacing the product is impossible or inappropriate, the consumer may choose to receive a discount on the price of the product or to cancel the purchase and receive a full refund.

This guarantee will not be applicable in the event of the improper use or misuse of the product, its improper handling by unauthorised persons, or the consumer's failure to clean or maintain the product on a periodic basis (cleaning of filters, replacement of bulbs). This product has been designed solely and exclusively for domestic use; hence, this guarantee does not cover professional use or the use of the product in any unforeseen way.

The right to demand the fulfillment of the provisions of this guarantee will lapse after three years from the delivery of the product, and the consumer is required to provide notice of any fault within two months of becoming aware of it.

This guarantee does not affect the consumer's rights under the provisions of Law 23/2003, of 10 July, on Guarantees in the Sale of Consumer Goods.

Fig. 1

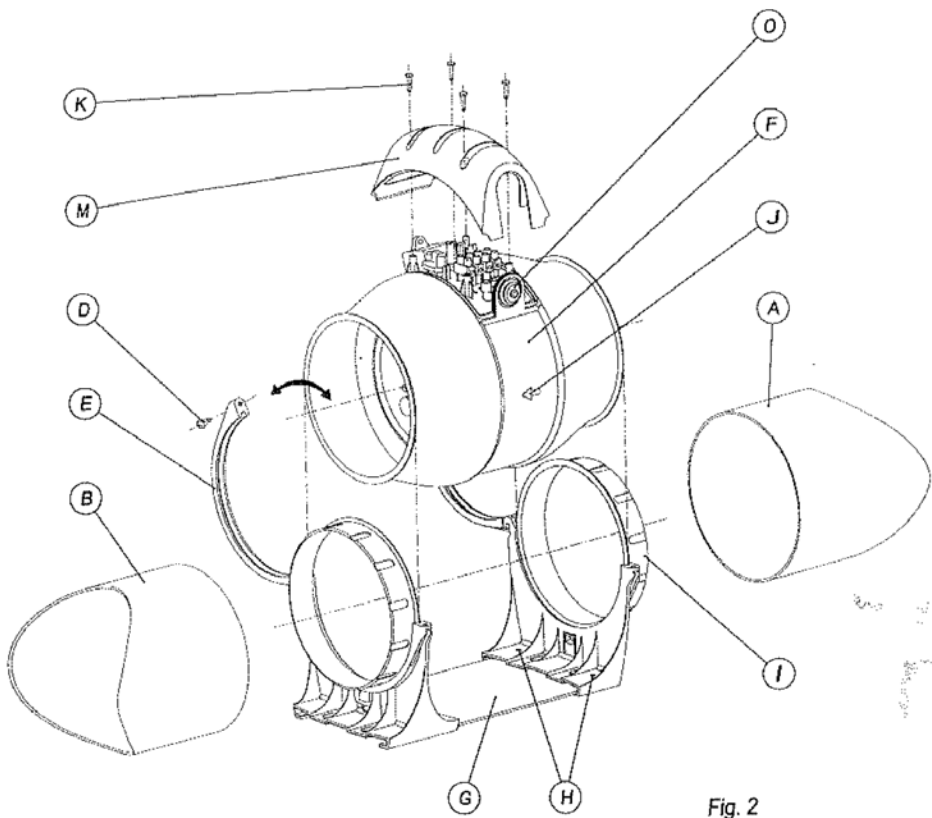
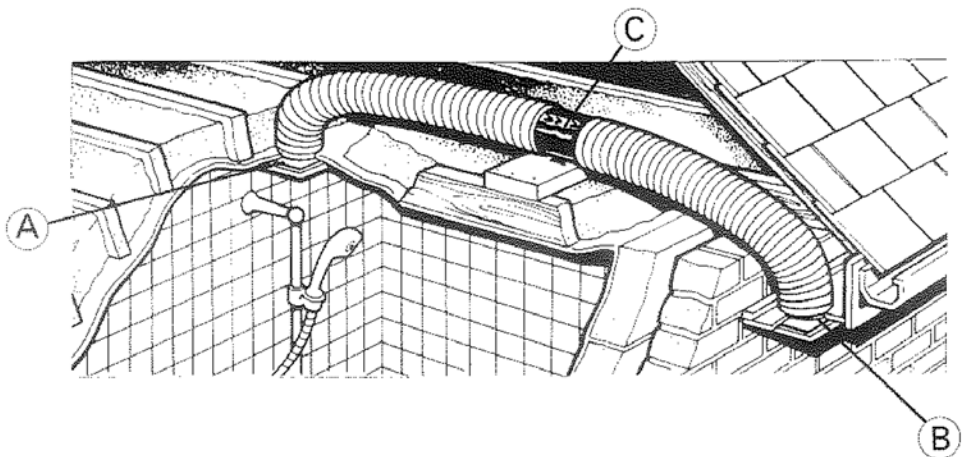
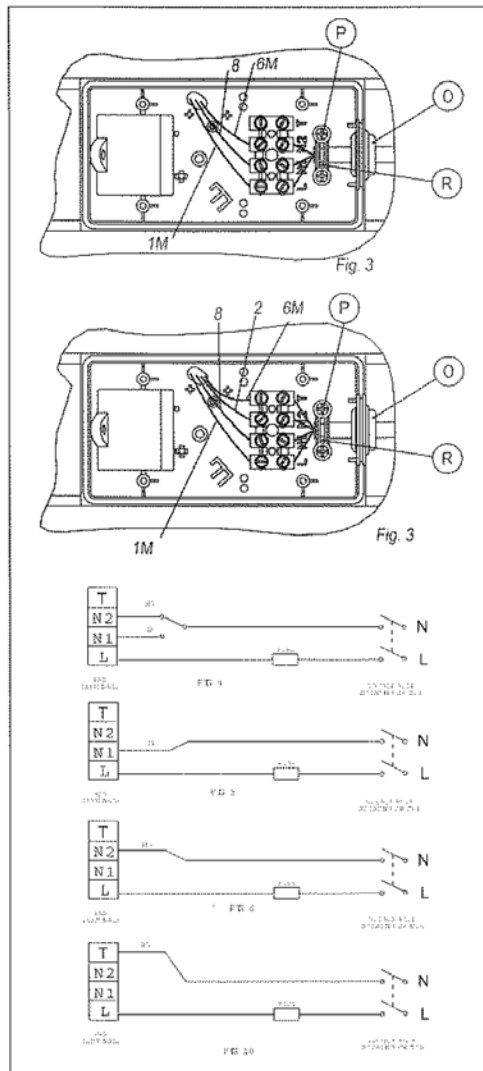
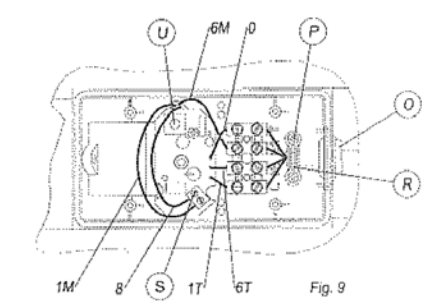
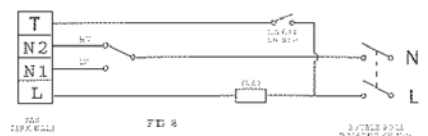
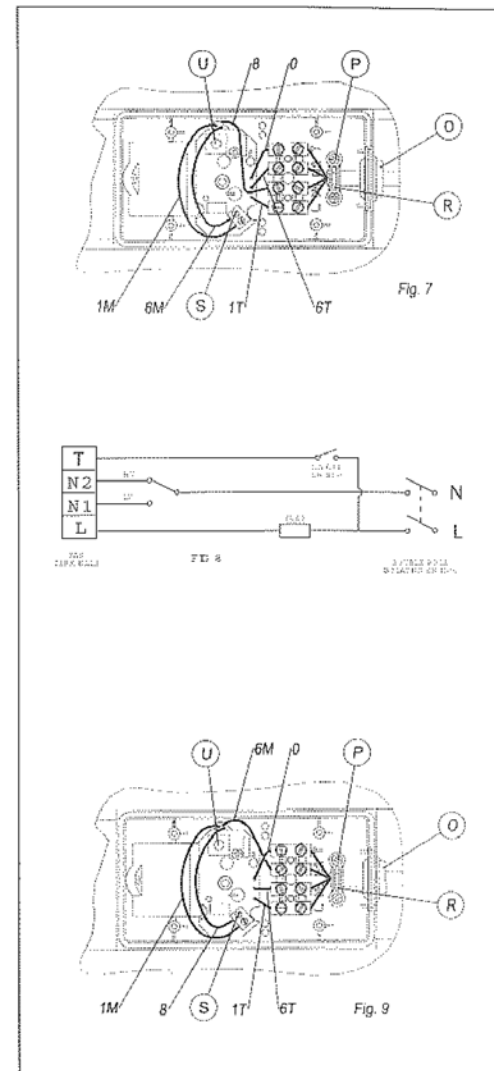


Fig. 2



English	Español	Deutsch	Français	Italiano	Nederlands	Português
0 Black	0 Negro	0 Schwarz	0 Noir	0 Nero	0 Zwart	0 Preto
1M, 1T Brown	1M, 1T Marrón	1M, 1T Braun	1M, 1T Marron	1M, 1T Marrone	1M, 1T Bruin	1M, 1T Castanho
6M, 6T Blue	6M, 6T Azul	6M, 6T Blau	6M, 6T Bleu	6M, 6T Blu	6M, 6T Blauw	6M, 6T Azul
8 Grey	8 Gris	8 Grau	8 Gris	8 Grigio	8 Grijs	8 Cincento
Dansk	Suomi	Norsk	Svenska			
0 Sort	0 Musta	0 Sort	0 Svart			
1M, 1T Brun	1M, 1T Ruskea	1M, 1T Blå	1M, 1T Brun			
6M, 6T Blå	6M, 6T Sininen	6M, 6T Brun	6M, 6T Blå			
8 Grå	8 Harmaa	8 Grå	8 Grå			



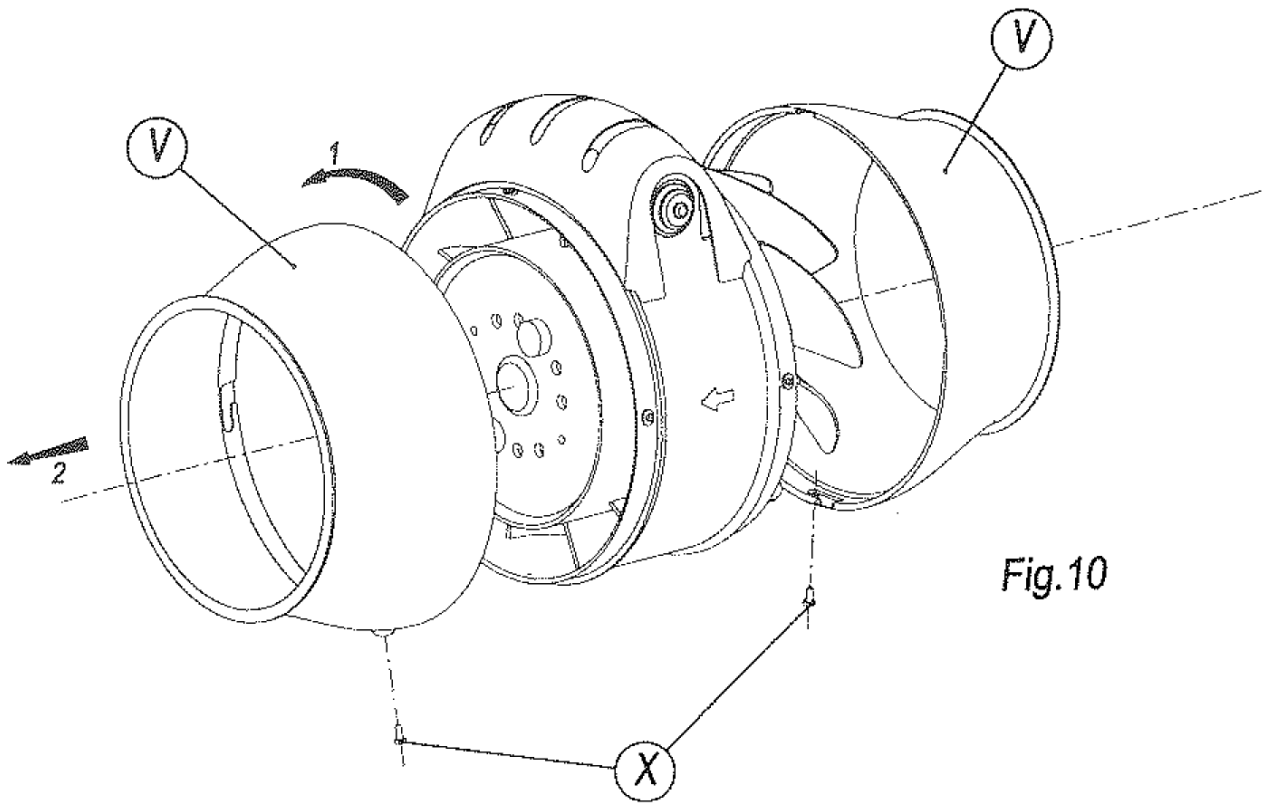


Fig.10